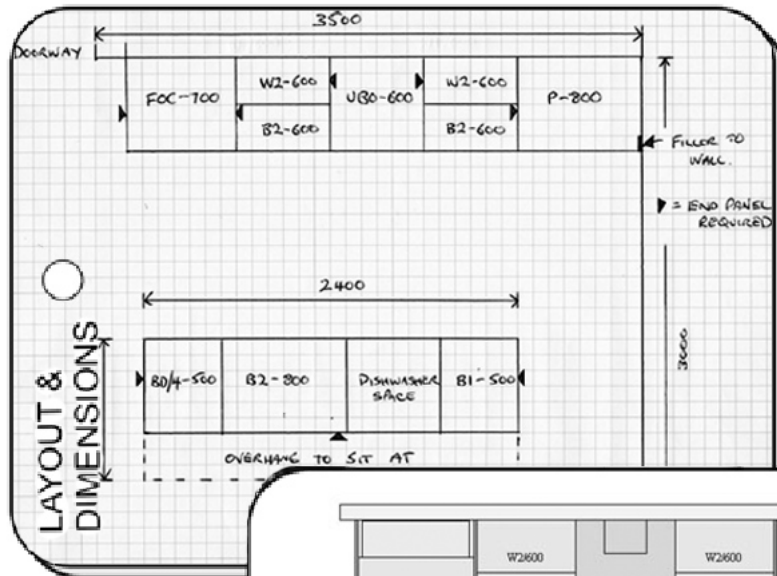


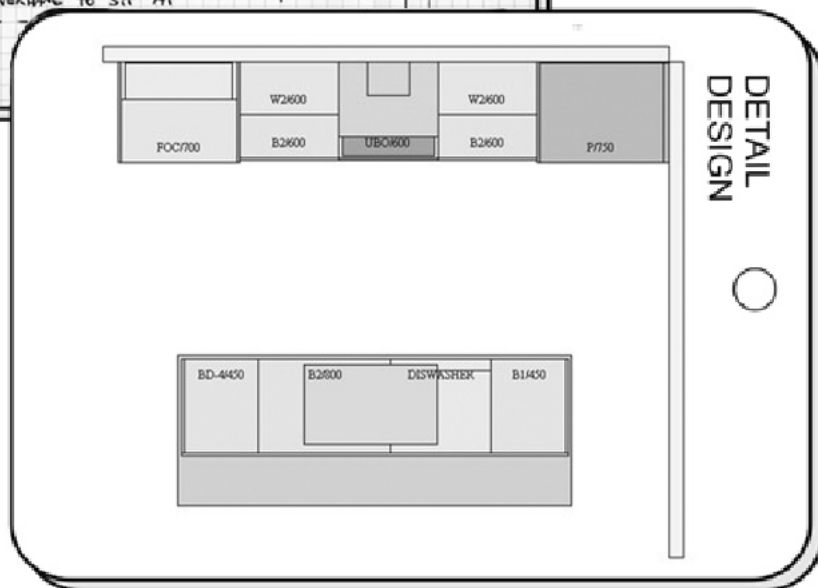
Kitchens Direct Online self-assembly kitchens

# PLANNING GUIDE



You tell us what you would like...

Let us help you make it!



**KITCHENS DIRECT ONLINE**  
Showroom 4 King Street  
Timaru  
New Zealand

**0800 534 732**  
P: 03 684 0183  
F: 03 684 0184  
E: [info@kitchensdirect.co.nz](mailto:info@kitchensdirect.co.nz)  
W: [www.kitchensdirect.co.nz](http://www.kitchensdirect.co.nz)

# The Self-Assembly Kitchen Advantage.

---

The Kitchens Direct Online kitset system combines our quality components, professional design advice and your imagination to create a stunning and functional kitchen for your individual needs.

- Enjoy the substantial cost savings with Self-Assembly
  - no expensive tradesmen.
- Have the satisfaction of doing it yourself.
- Save more by choosing Doors and Benchtops from the kitset range.

Kitset kitchens are flexible in design, style, cost and come with the following standard Features:

Cabinets : 16 mm Moisture Resistant White. (inc: backs)

Edging : PVC

Shelving : Fully Adjustable.

Warranty : Five Years.

Hardware: Metal drawer Slides, Metal Self Closing Hinges,  
Clip-on Fully Adjustable Legs to ensure  
perfect levelling. All European made.

The Kitchens Direct Online kitset system has been developed to suit both the Handyman and Tradesman:

- All components are pre-drilled, edged and labelled.
- Assembly instructions are provided for each individual cabinet type.
- All hardware is supplied.
- All you need is basic tools and a bit of elbow grease.

Our Showroom has:

- Assembly display room.
- Colour matching room.
- Many Kitchens on display
  - Timaru, 4 King Street
  - Mon-Fri 9am to 5pm.
  - Sat 10am to 1pm

# Planning and Ordering

---

1. Measure the length, width and height of your room and note the size and location of all windows and doors. Note the location of services (such as plumbing, power & gas).

2. Use these room measurements to draw a plan view of your kitchen on the graph paper on the back of the Planning Guide.

- 1 square on graph paper = 10cm, 10 sqs = 1 metre
- Choose cabinets from the Kitset Catalogue for your individual Kitchen Design
- Note: Size adjustments are possible if catalogue items do not fit your space.

3. Allowances are required for end panels, benchtop overhang and scribes etc. It is important to note on your plan, exposed ends and backs of cabinets. We will confirm detailing of panels & scribes on our kitset plan. Benchtops are made to suit your layout and are calculated exactly on final kitset plan.

4. Complete the QUOTE REQUEST FORM (include any other details you may think important) and return to us with your Kitchen Plan for a quotation. Post, Fax or Email.

NOTE: Don't worry if your Draft Plan is not perfect – we are very experienced at interpreting your drawings! We will contact you if there are queries or design issues to clarify. Alternately, you may wish to contact us for assistance to complete your plan – we are pleased to offer design advice or drawing assistance.

5. When we are sure of your exact requirements we will forward your Quotation within 7 days.

6. Kitchens Direct Online orders requires a deposit of 25%. On receipt of deposit, a kitset plan of your kitchen will be forwarded for prompt attention. Balance of payment is due at time of pick up or prior to delivery.

7. Pick-up is available from the Timaru location 8am – 5pm Monday – Friday.

Or Kitchens Direct Online can arrange a low cost delivery. This cost will be passed onto the purchaser.

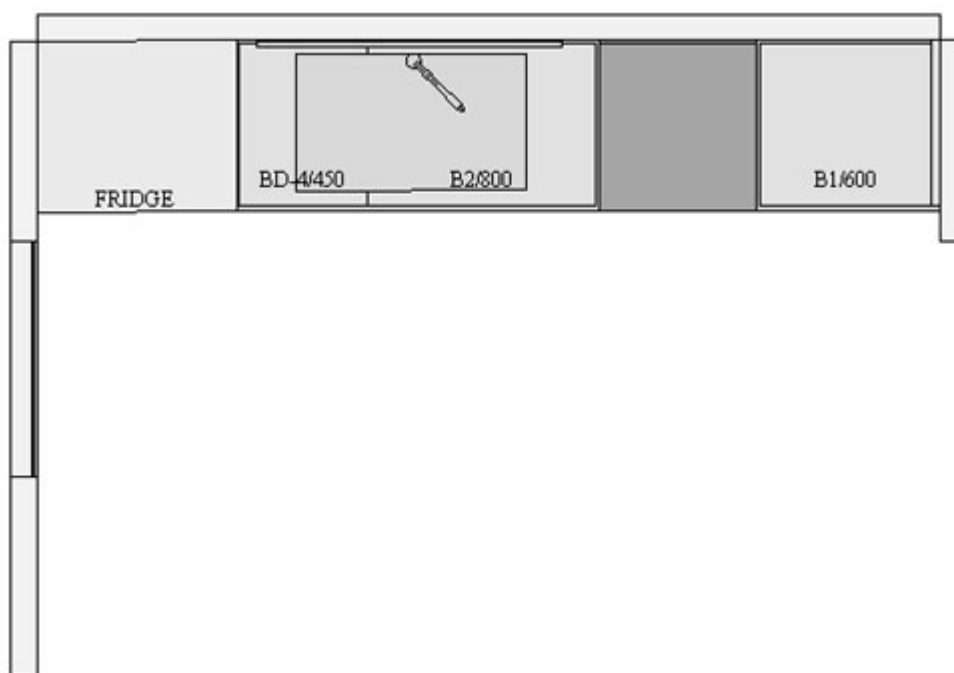
8. Your completed kitset kitchen will be securely packed for transport and will include: Plan, Assembly Instructions and Itemised Hardware.

# Example Plans

---

## **Straight**

This is an example of a small, basic kitchen



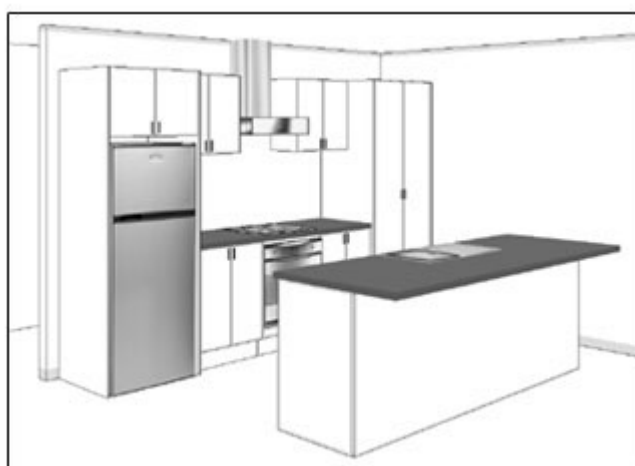
- One line of cabinets
- suitable for narrow spaces and small houses/flats

# Examples Plans

---

## Galley

A walk-through kitchen, featuring cabinets on two sides



- Suitable for kitchens with limited space
- Extended benchtop bars are also suitable for this kitchen type

# Example Plans

---

## L-Shaped

One line of cabinets placed around a corner.



- Larger than straight or galley kitchens
- Can incorporate a dining table or an island bench

# Example Plans

---

## U-Shaped

Cabinets on three sides of the room.



- Requires a large area
- Represents the most flexible design

# Example Plans

---

## Open plan

Kitchen as part of a larger room.



- Open end bench or raised bar on two sides

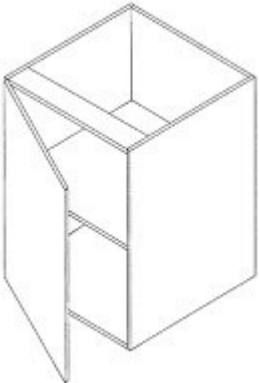
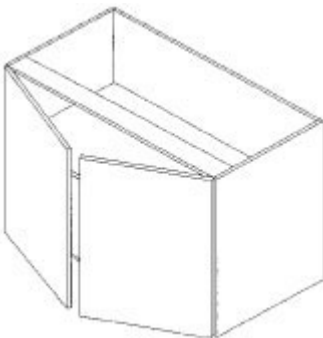
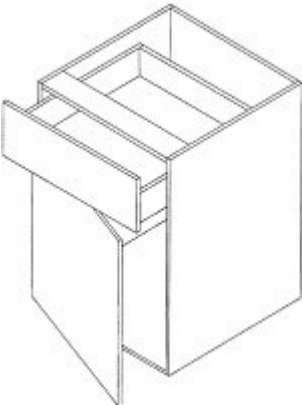
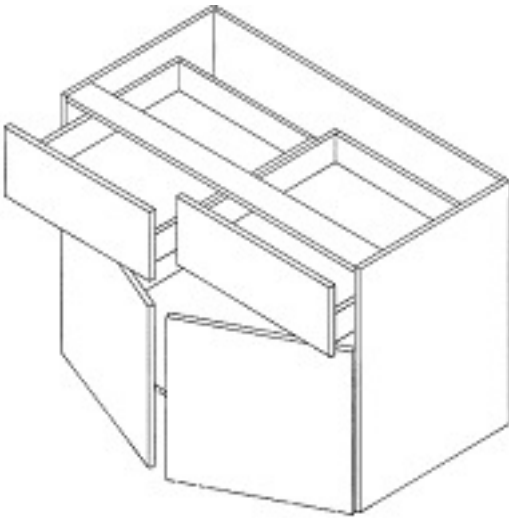
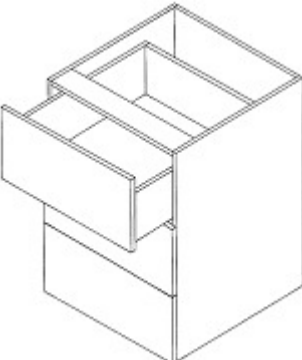
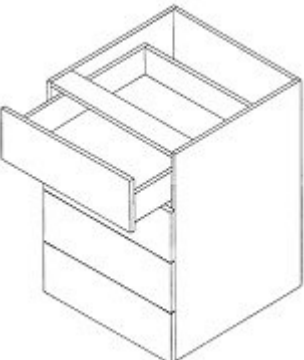


# Cabinet Catalogue

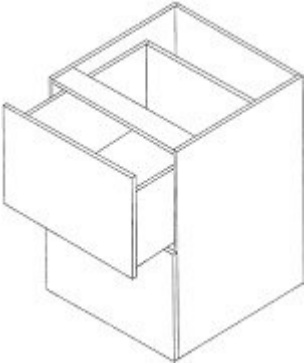
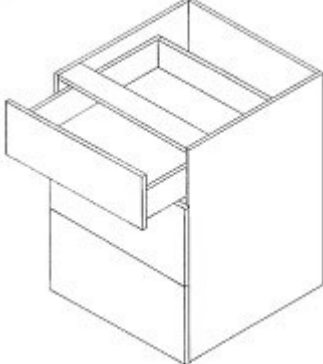
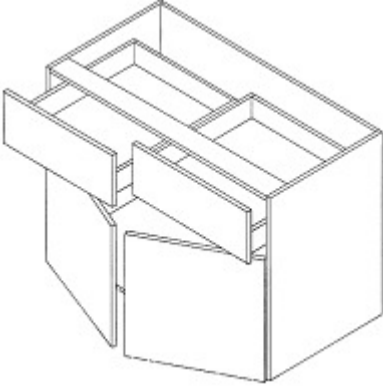
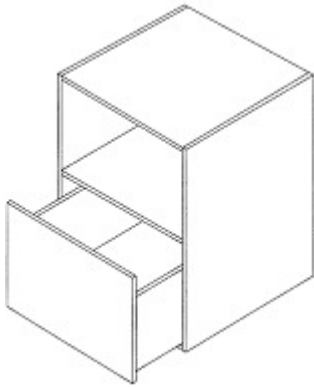
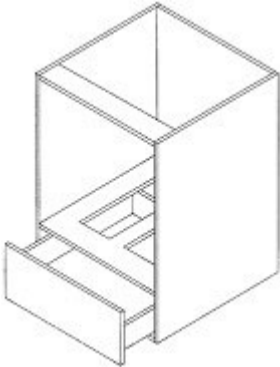
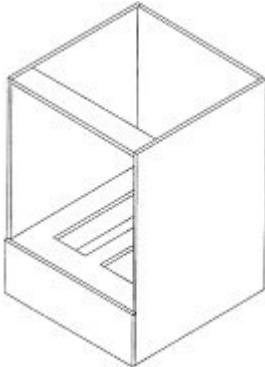
## Base Cabinets

**NOTE:** 900mm Height includes Benchtop 34mm, Cabinet 720mm and Kickboard 146mm.

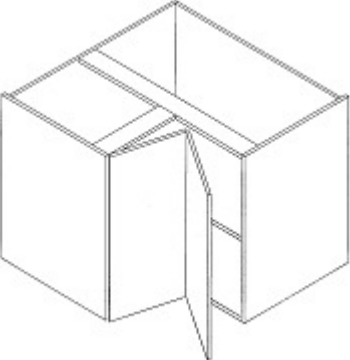
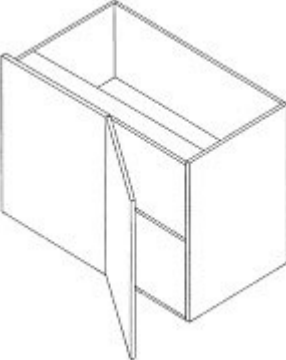
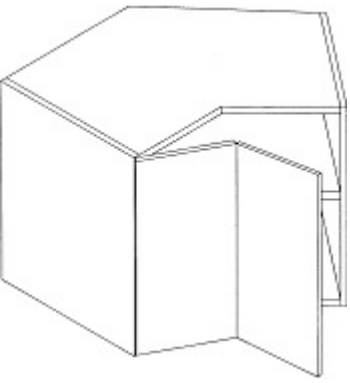
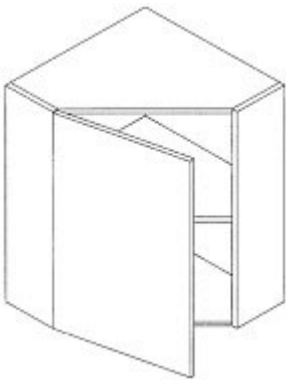
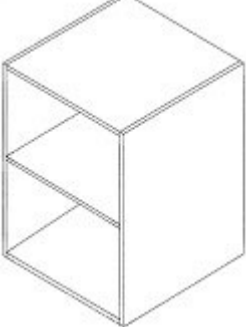

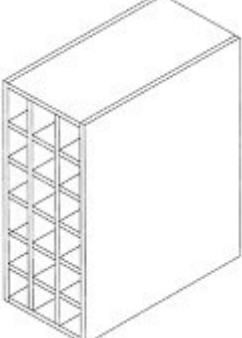
### Base Units

|   |   |  |  |
|---|---|--|--|
|    | <p><b>B1</b><br/>1 DOOR BASE CABINET</p> <p>DEPTH 580<br/>HEIGHT 900<br/>WIDTHS 200, 250, 300, 350, 400, 450, 500, 550, 600</p>   |    | <p><b>B2</b><br/>2 DOOR BASE CABINET</p> <p>DEPTH 580<br/>HEIGHT 900<br/>WIDTHS 600, 650, 700, 750, 800, 850, 900, 950, 1000, 1050, 1100, 1150, 1200</p>                       |
|  | <p><b>BDD1-</b><br/>SINGLE DRAWER &amp; DOOR COMBINATION</p> <p>DEPTH 580<br/>HEIGHT 900<br/>WIDTHS 400, 450, 500, 550, 600, 650, 700, 750, 800, 850, 900<br/>DRAWER HEIGHT 180</p> <p>NOTE: 2 Doors apply if wider than 600 mm</p> |  | <p><b>BDD2-</b><br/>DOUBLE DRAWER &amp; DOOR COMBINATION</p> <p>DEPTH 580<br/>HEIGHT 900<br/>WIDTHS 800, 850, 900, 950, 1000, 1050, 1100, 1150, 1200<br/>DRAWER HEIGHT 180</p> |
|  | <p><b>BD/3 . 3</b><br/>EQUAL DRAWERS</p> <p>DEPTH 580<br/>HEIGHT 900<br/>WIDTHS 600, 650, 700, 750, 800, 850, 900<br/>DRAWER HEIGHT 3 x 240</p>   |  | <p><b>BD/4 . 4</b><br/>EQUAL DRAWERS</p> <p>DEPTH 580<br/>HEIGHT 900<br/>WIDTHS 400, 450, 500, 550, 600<br/>DRAWER HEIGHT 4 x 180</p>  |

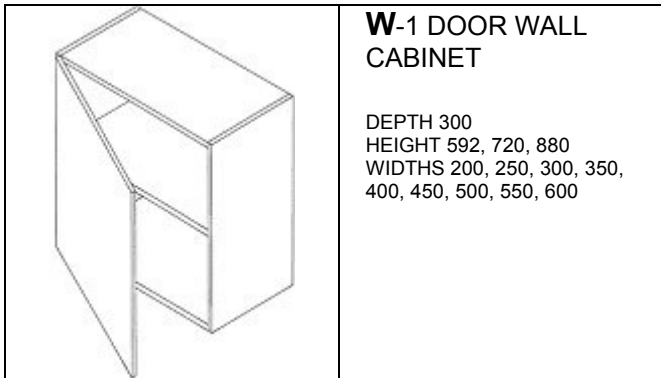
## Base Units

|   |  |  |  |
|---|--|--|--|
|    | <p><b>BP2 . 2</b><br/>EQUAL<br/>DRAWERS</p> <p>DEPTH 580<br/>HEIGHT 900<br/>WIDTHS 600, 650,<br/>700, 750, 800, 850,<br/>900<br/>DRAWER HEIGHT 2<br/>x 360</p>   |    | <p><b>BP-3P . 1</b><br/>CUTLERY<br/>DRAWER OVER<br/>2 POT<br/>DRAWERS</p> <p>DEPTH 580<br/>HEIGHT 900<br/>WIDTHS 600, 650,<br/>700, 750, 800, 850,<br/>900<br/>DRAWER HEIGHT 1 x<br/>180 2 x 270</p> |
|   | <p><b>BDD2-</b><br/>DOUBLE<br/>DRAWER &amp;<br/>DOOR<br/>COMBINATION</p> <p>DEPTH 580<br/>HEIGHT 900<br/>WIDTHS 800, 850,<br/>900, 950, 1000,<br/>1050, 1100, 1150,<br/>1200<br/>DRAWER HEIGHT<br/>180</p> |   | <p><b>BMW-BASE</b><br/>MICROWAVE<br/>CABINET</p> <p>DEPTH 580<br/>HEIGHT 900<br/>WIDTHS 600, 650 700<br/>DRAWER HEIGHT 320</p>   |
|  | <p><b>UBOD.</b><br/>UNDER<br/>BENCH OVEN<br/>CABINET<br/>WITH<br/>DRAWER</p> <p>DEPTH 580<br/>HEIGHT 900<br/>WIDTHS 600, 900<br/>DRAWER HEIGHT<br/>120</p> <p>NOTE: Max oven<br/>height . 595 mm</p>       |  | <p><b>UBO.</b> UNDER<br/>BENCH OVEN<br/>CABINET</p> <p>DEPTH 580<br/>HEIGHT 900<br/>WIDTHS 600, 900</p> <p>NOTE: Oven details<br/>are required for this<br/>cabinet</p>                              |

## Base Units

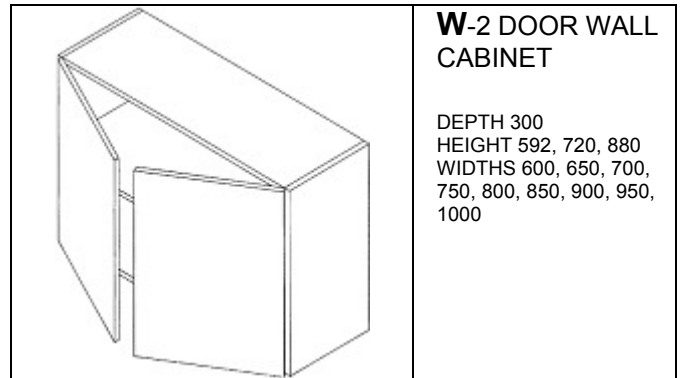
|   |   |   |   |
|---|---|---|---|
|    | <p><b>BC . BASE CORNER CABINET</b></p> <p>DEPTH 580<br/>HEIGHT 900<br/>WIDTHS 900/900<br/>900/1000 900/1100<br/>900/1200</p> <p>NOTE: Available with left or right hand extended leg.</p> |   | <p><b>BL . BASE BLIND CORNER CABINET</b></p> <p>DEPTH 580<br/>HEIGHT 900<br/>WIDTHS 1000, 1050,<br/>1100, 1150, 1200</p> <p>NOTE: Available with left or right blind corner</p> |
|   | <p><b>B45 . BASE CORNER CABINET FOR 45. ANGLE CORNER</b></p> <p>DEPTH 580<br/>HEIGHT 900<br/>FRONT WIDTH 317/317<br/>BACK WIDTH 549/549</p>   |    | <p><b>BCA . BASE CABINET FOR THE OPEN END OF ROW OF CABINETS ONLY</b></p> <p>DEPTH 580<br/>HEIGHT 900<br/>WIDTHS 580</p> <p>NOTE: Benchtop can be cut to cabinet angle.</p>     |
|  | <p><b>BOS. BASE OPEN SHELF CABINET</b></p> <p>DEPTH 580<br/>HEIGHT 900<br/>WIDTHS 200, 250,<br/>300, 350, 400, 450,<br/>500, 550, 600</p>   |   | <p><b>BAO- BASE OPEN SHELF CABINET (MITRED )</b></p> <p>DEPTH 580<br/>HEIGHT 900<br/>WIDTHS 200, 250,<br/>300, 350, 400</p>   |
|  | <p><b>BWR - BASE WINE RACK</b></p> <p>DEPTH 580<br/>HEIGHT 900<br/>WIDTHS<br/>150 ( 6 bottles)<br/>250( 12 bottles)<br/>350( 18 bottles)<br/>450( 25 bottles)<br/>550 ( 30 bottles)</p>   | <p><b>DISHWASHER.</b></p> <p>DISHWASHERS DO NOT REQUIRE A CABINET . ALLOW 640 mm SPACE BETWEEN CABINETS THIS ALLOWS FOR TWO 16mm PANELS ONE ON EACH SIDE.</p> |   |

## Wall Units



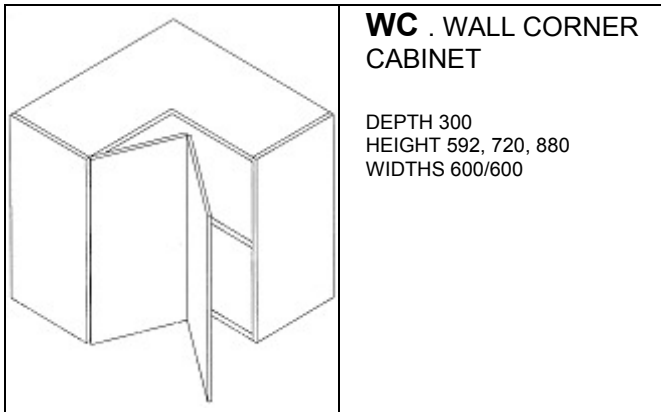
### **W-1** DOOR WALL CABINET

DEPTH 300  
HEIGHT 592, 720, 880  
WIDTHS 200, 250, 300, 350, 400, 450, 500, 550, 600



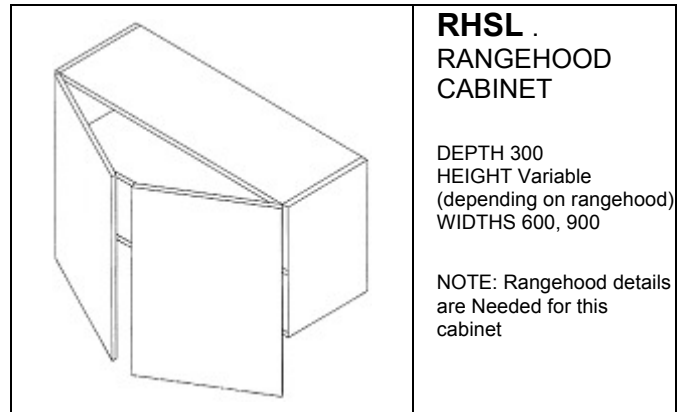
### **W-2** DOOR WALL CABINET

DEPTH 300  
HEIGHT 592, 720, 880  
WIDTHS 600, 650, 700, 750, 800, 850, 900, 950, 1000



### **WC** . WALL CORNER CABINET

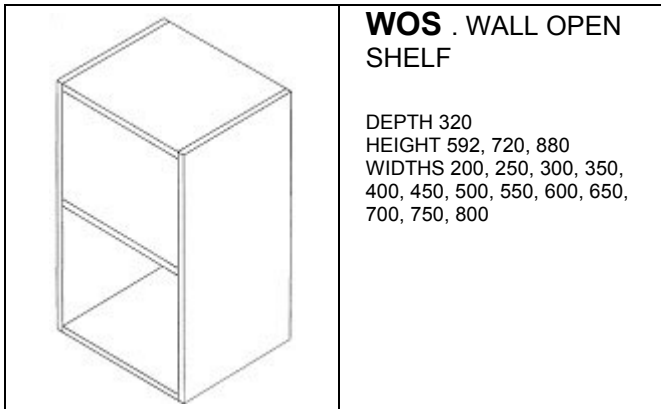
DEPTH 300  
HEIGHT 592, 720, 880  
WIDTHS 600/600



### **RHSL** . RANGEHOOD CABINET

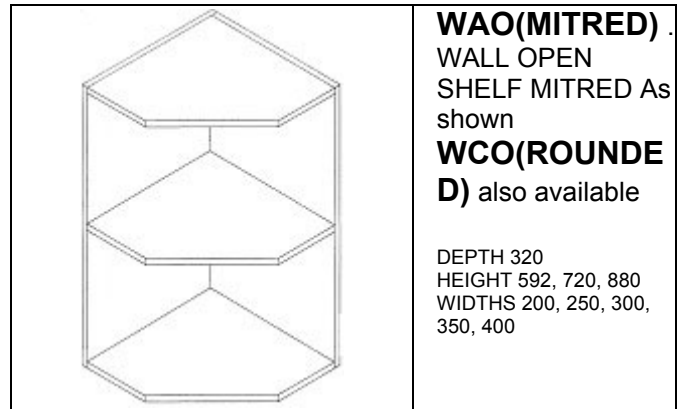
DEPTH 300  
HEIGHT Variable  
(depending on rangehood)  
WIDTHS 600, 900

NOTE: Rangehood details are Needed for this cabinet



### **WOS** . WALL OPEN SHELF

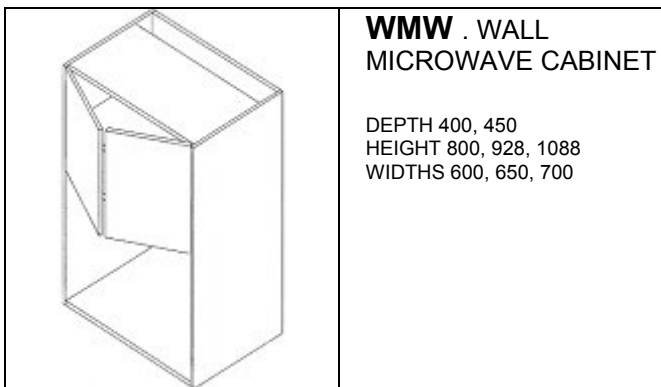
DEPTH 320  
HEIGHT 592, 720, 880  
WIDTHS 200, 250, 300, 350, 400, 450, 500, 550, 600, 650, 700, 750, 800



### **WAO(MITRED)** . WALL OPEN SHELF MITRED As shown

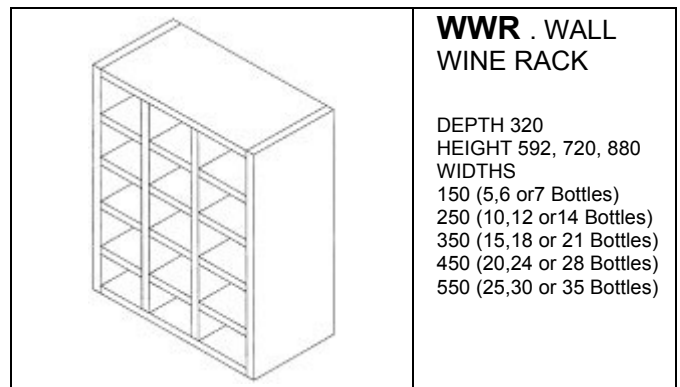
**WCO(ROUNDED)** also available

DEPTH 320  
HEIGHT 592, 720, 880  
WIDTHS 200, 250, 300, 350, 400



### **WMW** . WALL MICROWAVE CABINET

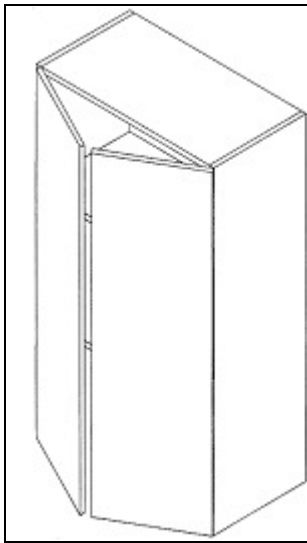
DEPTH 400, 450  
HEIGHT 800, 928, 1088  
WIDTHS 600, 650, 700



### **WWR** . WALL WINE RACK

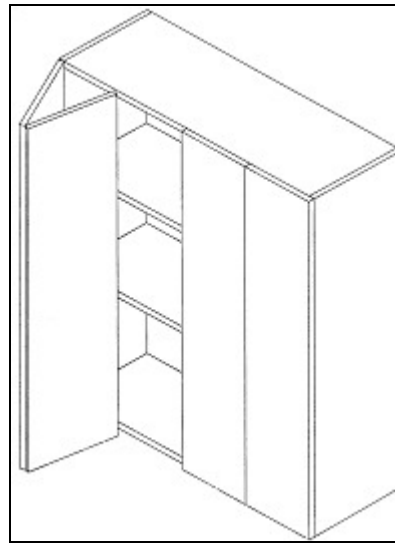
DEPTH 320  
HEIGHT 592, 720, 880  
WIDTHS  
150 (5,6 or 7 Bottles)  
250 (10,12 or 14 Bottles)  
350 (15,18 or 21 Bottles)  
450 (20,24 or 28 Bottles)  
550 (25,30 or 35 Bottles)

## Wall Units



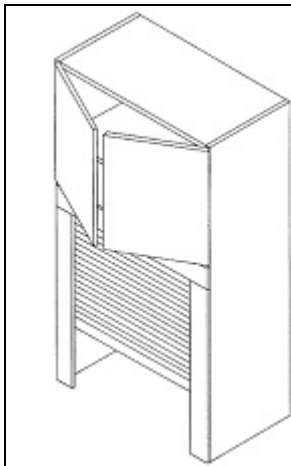
### **AP2 . APPLIANCE CABINET**

DEPTH 400, 450  
HEIGHT 1197, 1325, 1485  
WIDTHS 600, 650, 700, 750,  
800, 850, 900, 950, 1000



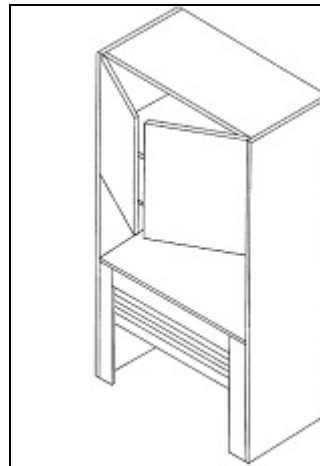
### **AP4 . APPLIANCE CABINET WITH BI-FOLD DOORS**

DEPTH 400, 450  
HEIGHT 1197, 1325, 1485  
WIDTHS 800, 850, 900,  
950, 1000



### **APR . APPLIANCE CABINET WITH ROLLER DOOR**

DEPTH 400, 450  
HEIGHT 1197, 1325, 1485  
WIDTHS 600, 700, 800, 900,  
1000

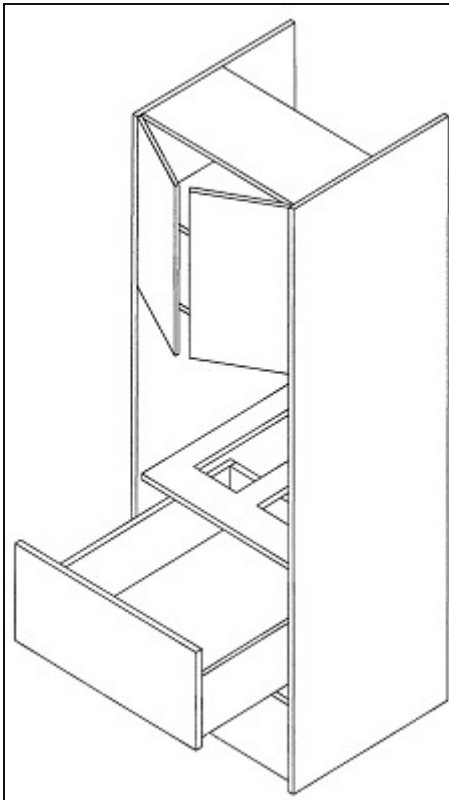


### **APMW .APPLIANCE CABINET /MICROWAVE CABINET**

DEPTH 400, 450  
HEIGHT 1197, 1325, 1485  
WIDTHS 600, 700, 800,  
900, 1000

NOTE: Roller door section  
also available open.

## Tall Units

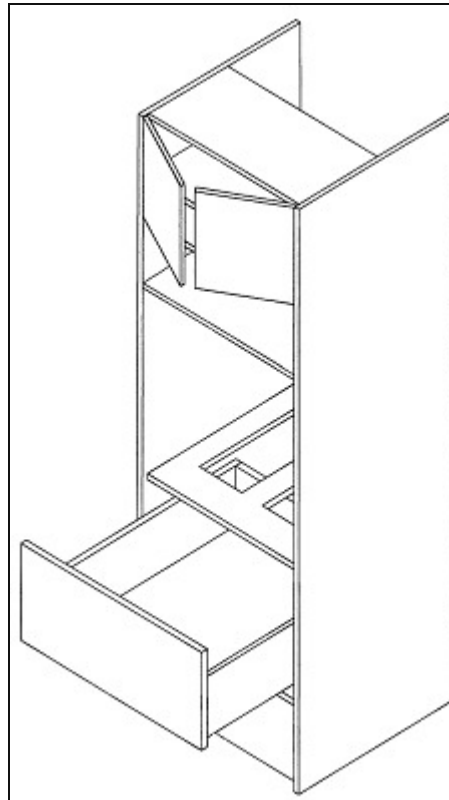


**OVS22-**  
WALL OVEN  
UNIT WITH 2  
DRAWERS

DEPTH 600  
HEIGHTS 2097,  
2225, 2385  
WIDTH 632  
DRAWER  
HEIGHTS 2 x 240

This unit maybe  
changed to suit  
oven size.

NOTE: Oven  
details are required  
for this cabinet

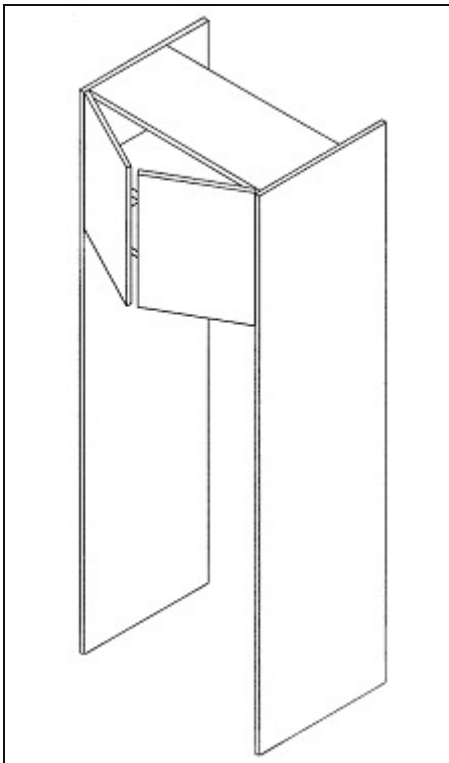


**OVSM22-**  
WALL OVEN  
UNIT WITH  
MICROWAVE  
BOX

DEPTH 600  
HEIGHTS 2097,  
2225, 2385  
WIDTHS 632  
DRAWER HEIGHTS  
2 x 240

This unit maybe  
changed to suit oven  
size.

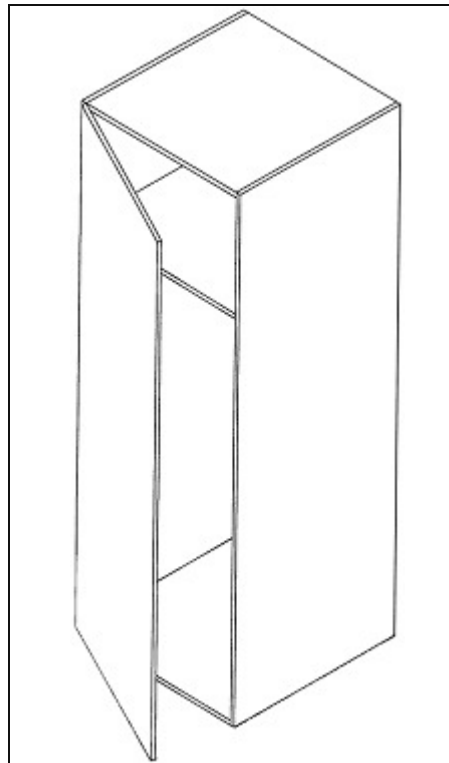
NOTE: Microwave  
and oven details are  
required for this  
cabinet



**FOC .**  
FRIDGE UNIT

OVERALL DEPTH  
600  
CABINET DEPTH  
450  
OVERALL HEIGHT  
2097, 2225, 2385  
CABINET  
HEIGHTS TO SUIT  
FRIDGE WIDTHS  
600, 650, 700, 750,  
800, 850, 900

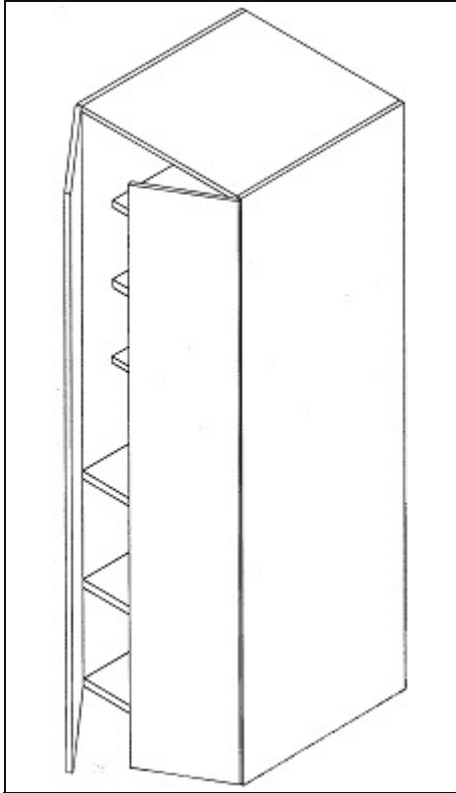
NOTE: Tall panels  
may not be needed  
if next to wall or tall  
oven cabinet.



**BR .** BROOM  
CABINET

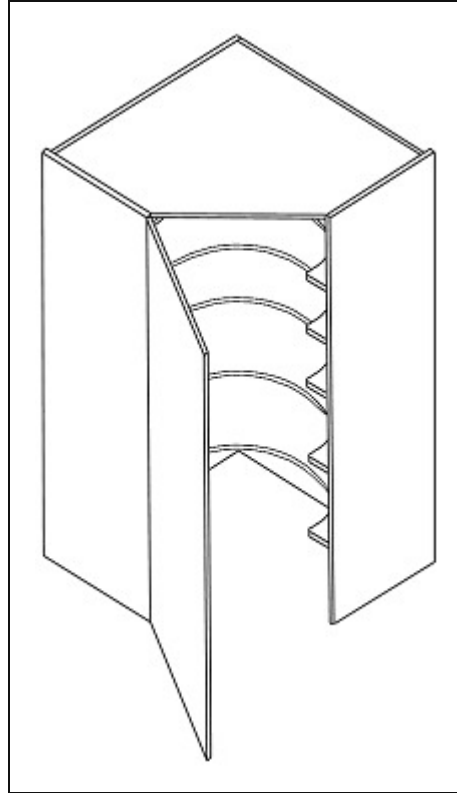
DEPTH 600  
HEIGHT 2097, 2225,  
2385  
WIDTHS 350, 400,  
450, 500, 550, 600

## Tall Units



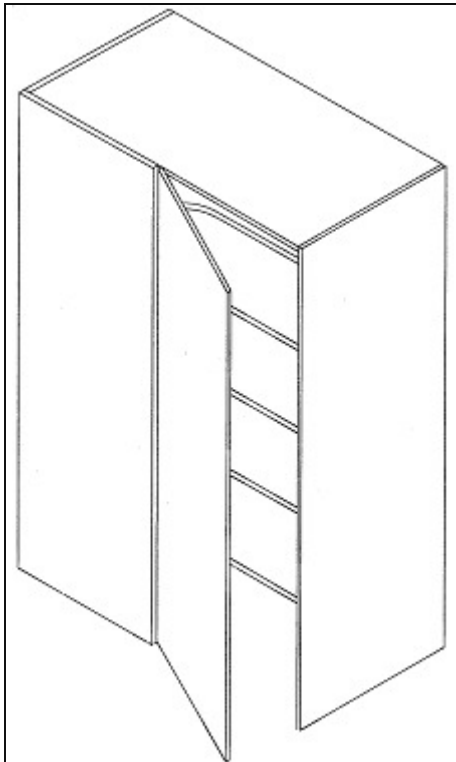
### P.PANTRY

DEPTH 600  
 HEIGHTS 2097,  
 2225, 2385.  
 WIDTHS 600, 650,  
 700, 750, 800, 850,  
 900, 950, 1000,  
 1050, 1100, 1150,  
 1200



### WIP-WALK-IN PANTRY

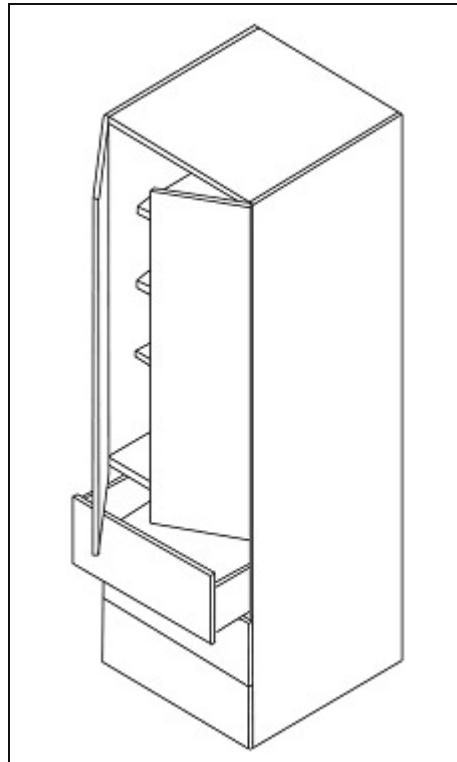
DEPTH 600  
 HEIGHTS 2097,  
 2225, 2385  
 WIDTHS 1000/1000  
 1100/1100  
 1200/1200



### PBL . BUTT PANTRY WITH HINGED DOOR

DEPTH 600  
 HEIGHT 2097,  
 2225, 2385  
 WIDTHS 1000,  
 1050, 1100, 1150,  
 1200

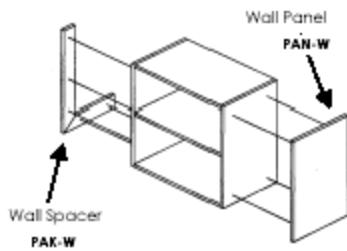
NOTE: Available  
 with left or right  
 hand blind corner



### PD . PANTRY CABINET WITH 3 DRAWERS

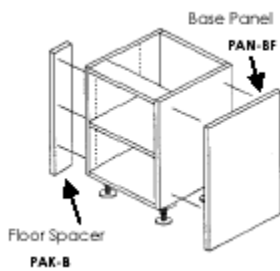
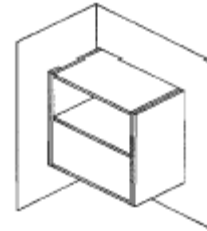
DEPTH 600  
 HEIGHT 2097, 2225,  
 2385  
 WIDTHS 600, 650,  
 700, 750, 800, 850,  
 900, 950, 1000

## Spacers and Panels



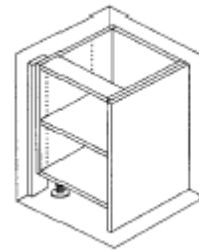
### Wall Cabinets

Spacers are used between walls and cabinets. Panels are used to cover exposed cabinet sides.



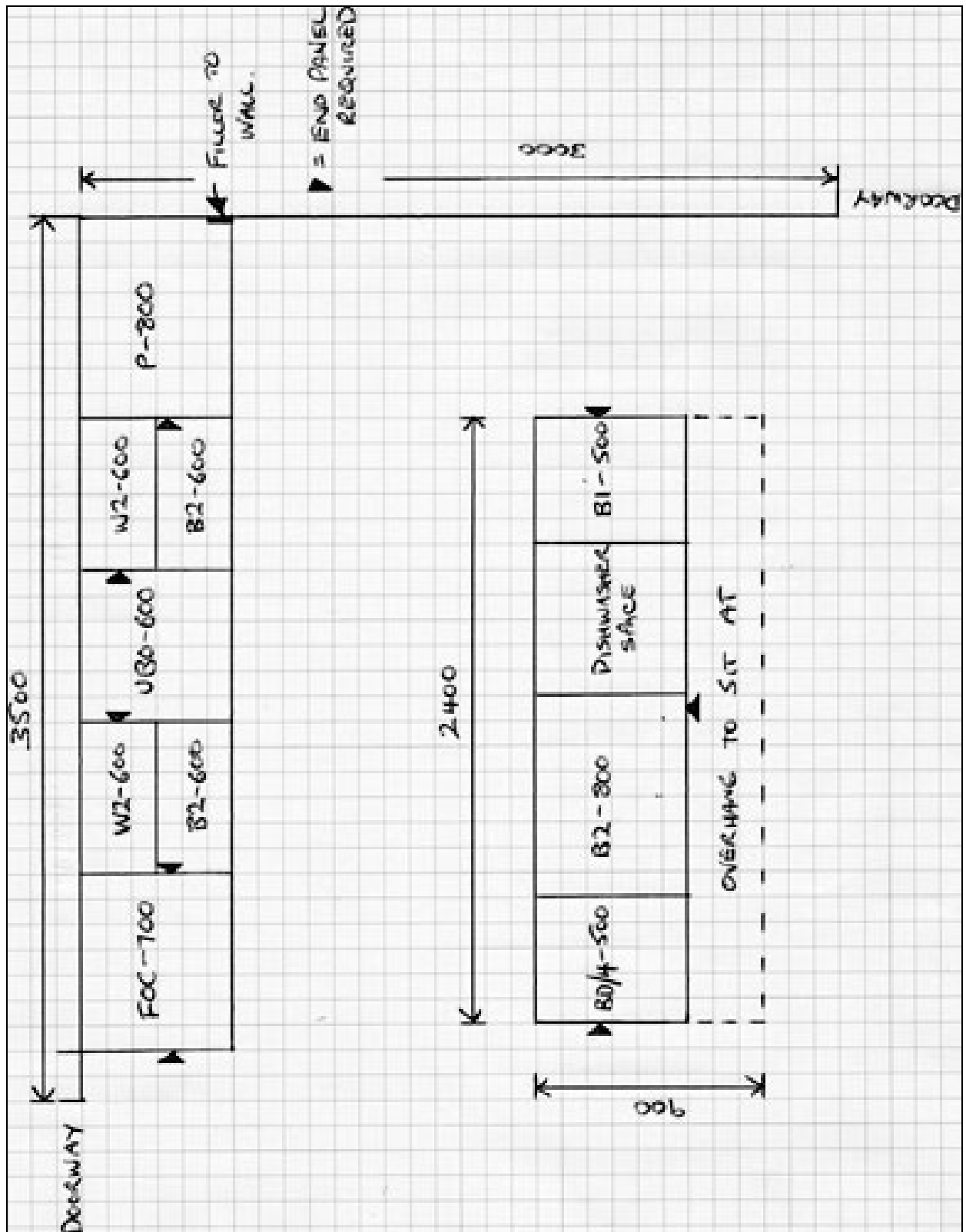
### Base cabinets

Spacers and panels are details that are best added when Kitchens Direct draw up the final plan of the kitchen, to ensure correct positioning. It is not necessary to include scribes or panels on your quote request plan.





# Sample of Cabinet Layout Drawing





# Quote Request Form

Send to: Kitchens Direct Online  
 4 King Street  
 Timaru  
 P:03 684 0183  
 F:03 684 0184  
 E: info@kitchensdirect.co.nz  
 0800 534 732

Name: ..... Ph: (Home) ..... (Work): .....  
 Address: ..... Fax: ..... Email: .....  
 City/Town: ..... Postcode: ..... Send Quote  Email  Fax  Post

## SELECT OPTIONS FOR YOUR QUOTE

OVERALL HEIGHT TO TOP OF TALL CABINETS:  2100 mm  2200 mm  2300 mm

- DOOR TYPES**
- TUFF EDGE LAMINATE.
  - ROUND EDGE LAMINATE.
  - VINYL MURIWAI.
  - VINYL NELSON.
  - VINYL OHOPE.
  - VINYL THAMES.
  - TIMBER MURIWAI.
  - TIMBER NELSON.
  - TIMBER OHOPE.
  - TIMBER THAMES.

- DOOR COLOURS**
- AMAZON (L).
  - BEIGE (L).
  - BRITTANY BLUE (VL).
  - CONCEPT OAK (L).
  - FROSTY WHITE (VL).
  - FUSION MAPLE (VL)
  - PLATINUM (L).
  - PORT (L).
  - SHADOW (VL).
  - SLATE GREY (VL).

- BENCHTOP COLOURS**
- BRONZED FUSION.
  - CITRINE TOPAZ.
  - EBONY FUSION.
  - EBONY STAR.
  - EVENING TIGRIS.
  - FROSTY WHITE MIRAGE.
  - IMPERIAL TOPAZ.
  - IRON LEGACY.
  - KALAHARI TOPAZ.
  - SMOKY TOPAZ.

- HANDLE TYPE**
- ANTIQUE KNOB.
  - MUSHROOM KNOB.
  - D-PULL HANDLE.
  - ROUND C-PULL.
  - T-BARS HANDLE

- TIMBER DOORS**
- AMERICAN OAK.
  - MACROCARPA.
  - RIMU.
  - RAW
- VL Door Colours available in Vinyl & Laminate  
 L Door Colours available in Laminate only

- OTHER OPTIONS**
- CORNICE CAPPING.
  - GLASS UPPER DOORS.
  - INTEGRATED PANELS.
  - SINGLE/DOUBLE WASTE BIN

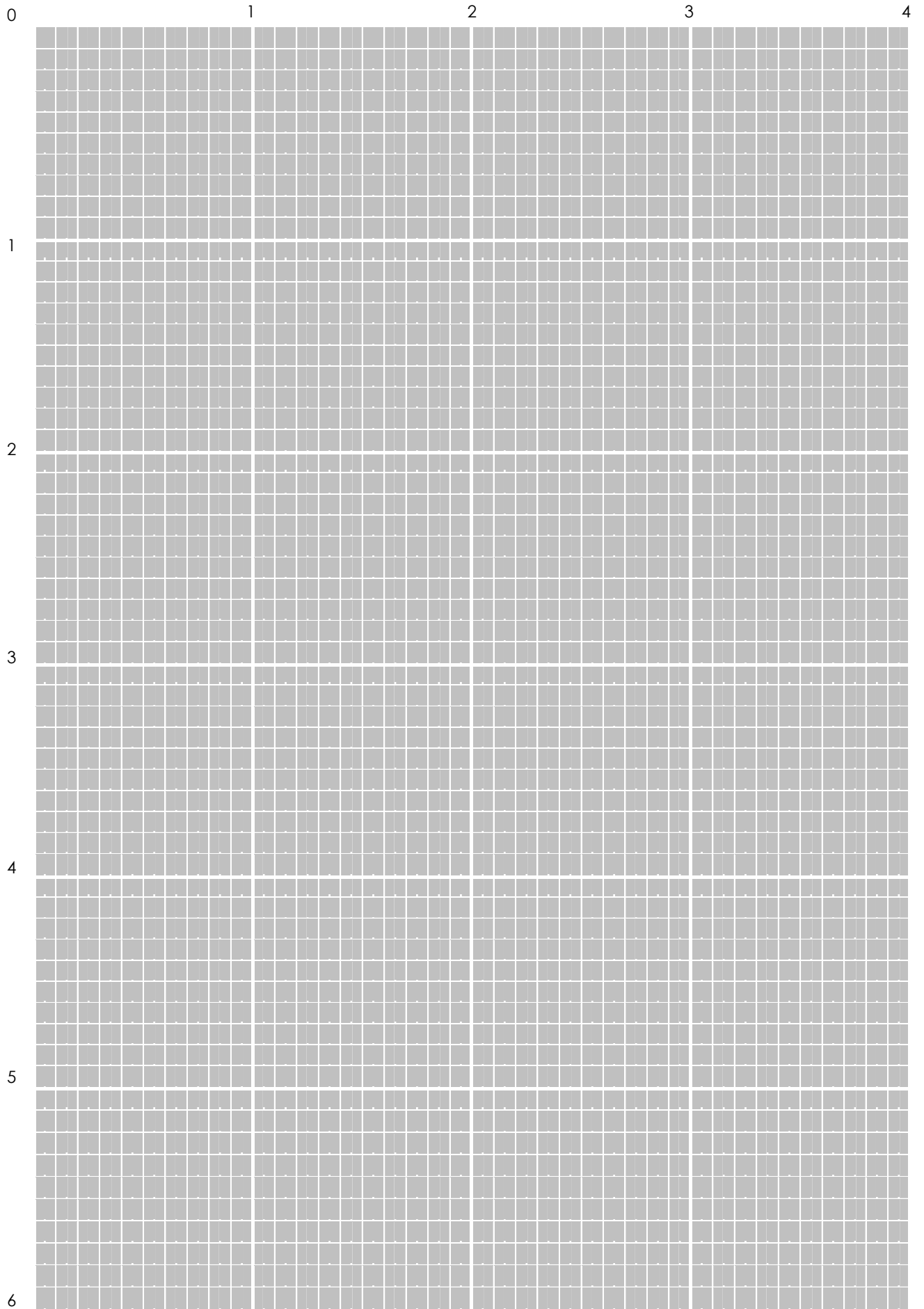
**APPLICATION TYPES AND SIZES**

OVEN TYPE:  Underbench  Upright  Wall  
 OVEN SIZE: Height = ..... Width = .....  
 RANGEHOOD TYPE:  Fixed  Slide out  Canopy  
 R/HOOD SIZE: Width = .....  
 Back Height = .....  
 Slide out Height = .....  
 COOKTOP:  Gas  Electric

FRIDGE SIZE: Height = .....  
 Width = .....  
 MICROWAVE: Height = .....  
 Width = .....  
 DISHWASHER:  Standard  Dish drawer  
 SINK: Overall width of bowls: .....

**DELIVERY REQUIRED:**  YES  NO

DELIVERY LOCATION:.....  
 Where did you hear about Kitchens Direct Kitchens?.....



0800 534 732

[www.kitchensdirect.co.nz](http://www.kitchensdirect.co.nz)